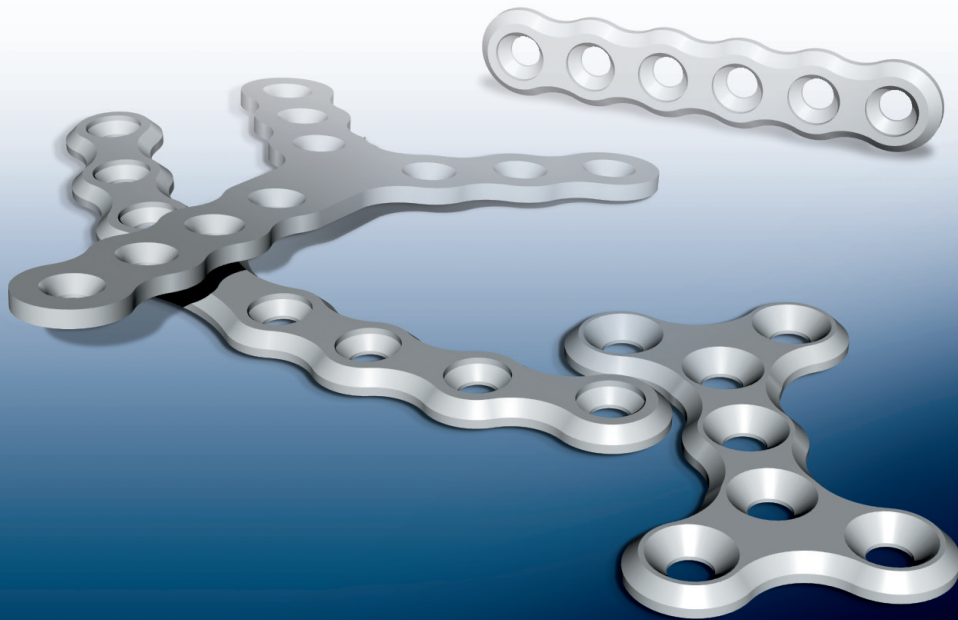


Biobsorb

Biobsorb 1.6 System
Biobsorb 2.0 System
Biobsorb 2.4 System
Biobsorb Instruments



Biobsorb Plating System

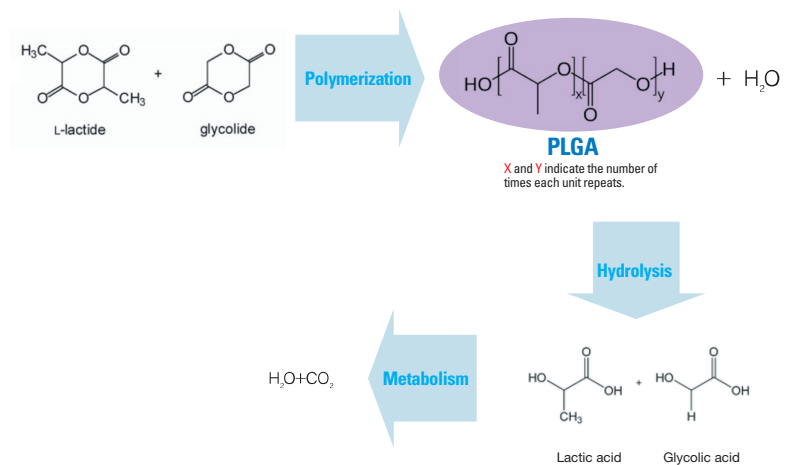
“Biobsoorb Plating system” is made with 82:18 poly(L-lactide-co-glycolide). This raw material is formed by the co-polymerization of L-lactide and glycolide. This copolymer is biocompatible and absorbable, and osteoconductive. It provides enough physical strength for the reconstruction of cranio-maxillofacial bone.

Materials

L-lactide + Glycolide → **PLGA** (Poly L-lactide-co-glycolide)

Mechanism of Materials Action

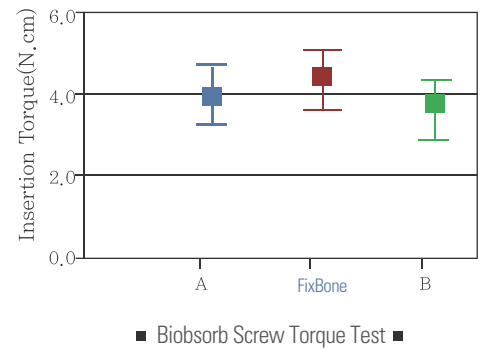
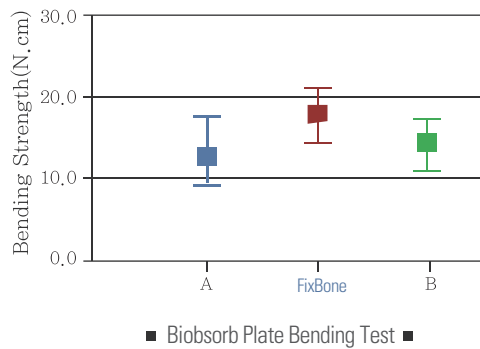
“Biobsoorb plating system” is designed to retain approximately 80% of its initial strength until 16 weeks after the operation. After that it is gradually absorbed into the body.



Features

- ▶ High strength
- ▶ Strength maintained at least 16 weeks
- ▶ In vivo biodegradable in 12 months
- ▶ No need for secondary surgery to remove the implant
- ▶ Increase of fixation power (Maximizing contact resistance)

Plate and Screw Strength



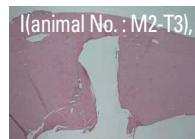
Preclinical Case Study

Implantation Test , 12 weeks (MTK-6835 / KTR)



Animal
 ·New Zealand White Rabbit

Rule
 ·ISO 10993-6 (2007)



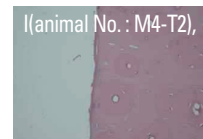
x50, H&E



x400, H&E



x50, H&E



x400, H&E

Result: Approval
 ·Histological evaluation: 0.00
 ·Bio-reactivity rating: Non- irritant

SYSTEM

Biobsoorb 1.6 System(Micro)

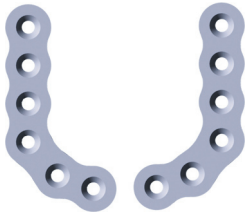
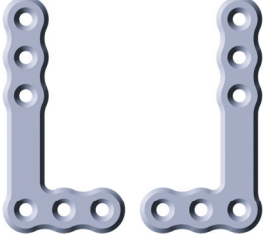
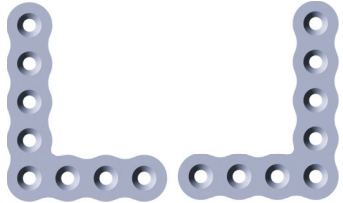
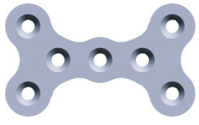
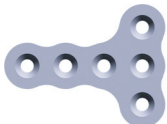
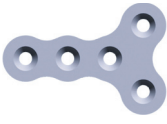
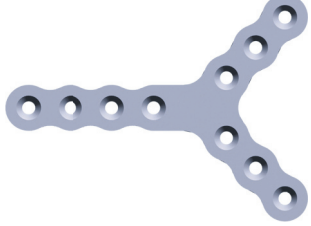
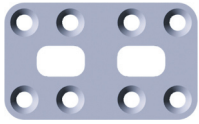

Partner for Life Care

“Biobsoorb Plating system” is designed not only to provide an innovative surgical procedure for surgeons, but also to help the patient’s speedy recovery.



Scale 1:1

Shape	Product Code	Size(mm)	
		W	L
	PLT05-0525-04ST	5.5	25.0
	PLT10-0621-04ST	6.0	21.0
	PLT10-0624-04ST	6.0	24.0
	PLT10-0629-04ST	6.0	29.0
	PLT05-0538-06ST	5.5	38.0
	PLT10-0631-06ST	6.0	31.0
	PLT10-0641-08ST	6.0	41.0
	PLT10-0651-10ST	6.0	51.0
	PLT10-0726-04CC	7.0	26.0
	PLT10-0938-06CC	9.1	38.0
	PLT10-1250-08CC	12.3	50.0
	PLT10-2111-05LL PLT10-2111-05LR	21.0	11.0










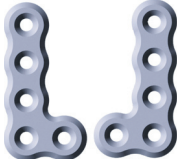
Shape	Product Code	Size(mm)	
		W	L
	PLT10-2714-06LL PLT10-2714-06LR	27.1	14.5
	PLT10-3116-06LL PLT10-3116-06LR	31.0	16.0
	PLT10-2621-08LL PLT10-2621-08LR	26.0	21.0
	PLT10-1424-07XX	14.8	24.8
	PLT10-2116-06TT	21.0	16.0
	PLT10-2114-05YY	21.3	14.5
	PLT10-3930-10YY	39.6	30.0
	PLT10-1525-08ST	15.0	25.0
	BSR1604-PG BSR1605-PG BSR1606-PG BSR1608-PG	1.6X4mm 1.6X5mm 1.6X6mm 1.6X8mm	


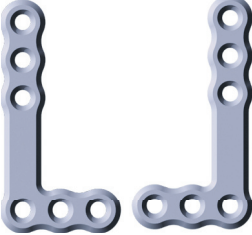
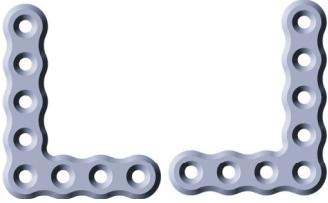

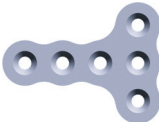
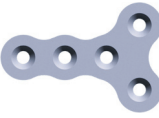
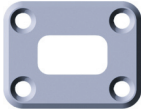


SYSTEM

Biobsoorb 2.0 System(Mini)



Scale 1:1

Shape	Product Code	Size(mm)	
		W	L
	PLT15-0521-04ST	5.5	21.0
	PLT15-0624-04ST	6.0	25.0
	PLT15-0629-04ST	6.0	29.0
	PLT15-0531-06ST	5.5	31.0
	PLT15-0641-08ST	5.5	41.0
	PLT15-0651-10ST	6.0	51.0
	PLT15-0628-04CC	6.7	28.0
	PLT15-0940-06CC	9.0	40.0
	PLT15-1251-08CC	12.5	51.8
	PLT15-2010-05LL PLT15-2010-05LR	20.4	10.7

Shape	Product Code	Size(mm)	
		W	L
	PLT15-2614-06LL PLT15-2614-06LR	26.8	14.2
	PLT15-3116-06LL PLT15-3116-06LR	31.0	16.0
	PLT15-2520-08LL PLT15-2520-08LR	25.4	20.7
	PLT15-0525-07XX	5.5	25.0
	PLT15-2116-06TT	21.0	16.0
	PLT15-2114-05YY	21.7	14.7
	PLT15-1418-04ST	14.2	18.2
	PLT15-1525-08ST	15.0	25.0
	BSR2004-PG BSR2005-PG BSR2006-PG BSR2007-PG BSR2008-PG BSR2010-PG	2.0X4mm 2.0X5mm 2.0X6mm 2.0X7mm 2.0X8mm 2.0X10mm	

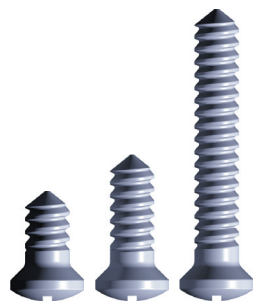
SYSTEM

Biobsorb 2.4 System(Mini)



Scale 1:1

Shape	Product Code	Size(mm)	
		W	L
	PLT14-0825-04ST	6.0	25.0
	PLT14-0837-06ST	6.0	37.0

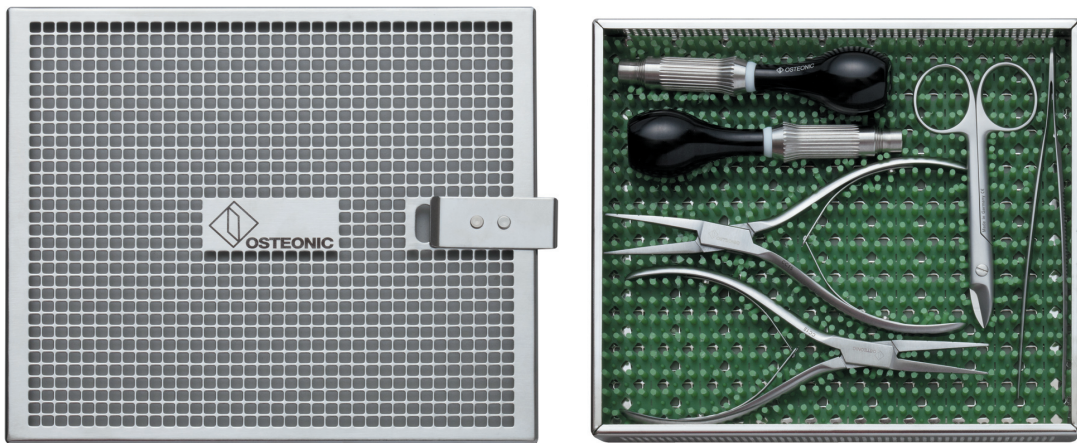


BSR2406-PG	2.4X6mm
BSR2408-PG	2.4X8mm
BSR2416-PG	2.4X16mm

INSTRUMENT

Biobsorb Tray

FB-TIA-001



Shaft & Drill Bit Case

IOC-201

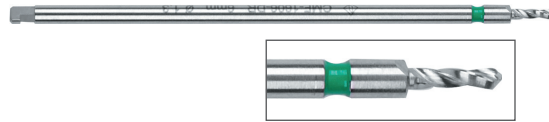


Screw Driver Shaft

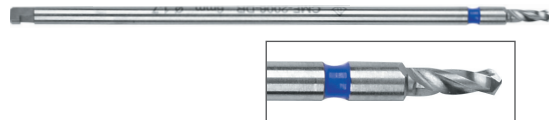
CMF-1620-DV



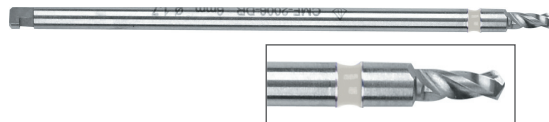
Drill Bit



- Ø1.2x4mm CMF-1604-DR
- Ø1.2x6mm CMF-1606-DR
- Ø1.2x8mm CMF-1608-DR

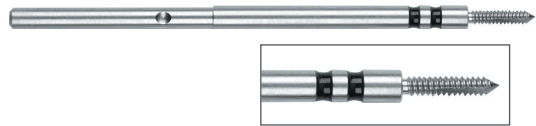
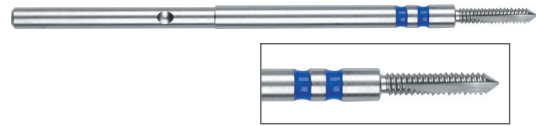
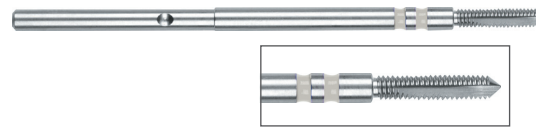


- Ø1.6x4mm CMF-2004-DR
- Ø1.6x6mm CMF-2006-DR
- Ø1.6x8mm CMF-2008-DR
- Ø1.6x10mm CMF-2010-DR-1(Length: 70mm)
- Ø1.6x10mm CMF-2010-DR-2(Length: 100mm)



- Ø2.1x7mm CMF-2406-DR
- Ø2.1x9mm CMF-2408-DR
- Ø2.1x17mm CMF-2416-DR

Tapping Drill Bit

	Ø1.6x8mm	CMF-1608-STA-1(Length: 70mm)
	Ø1.6x8mm	CMF-1608-STA-2(Length: 100mm)
	Ø2.0x10mm	CMF-2010-STA-1(Length: 70mm)
	Ø2.0x10mm	CMF-2010-STA-2(Length: 100mm)
	Ø2.5x6mm	CMF-2406-STA(Length: 70mm)
	Ø2.5x8mm	CMF-2408-STA(Length: 70mm)
	Ø2.5x16mm	CMF-2416-STA(Length: 70mm)

Hand Body for Driver Shaft

IOC-016



Forcep

Y4K.56010



Cutter

IOC-040



Bender(2ea/set)

IOC-070



The Pioneer for Healthcare Systems

For physician's successful surgery

For patient's speedy recovery

For your safe and healthy life





OSTEONIC Co., Ltd.

1206Ho, 38, Digital-ro 29-gil, Guro-gu, Seoul, Korea P.O. #08381
TEL: +822 6902 8400 FAX: +822 6902 8401 www.osteonic.com

AMF - E - 1902